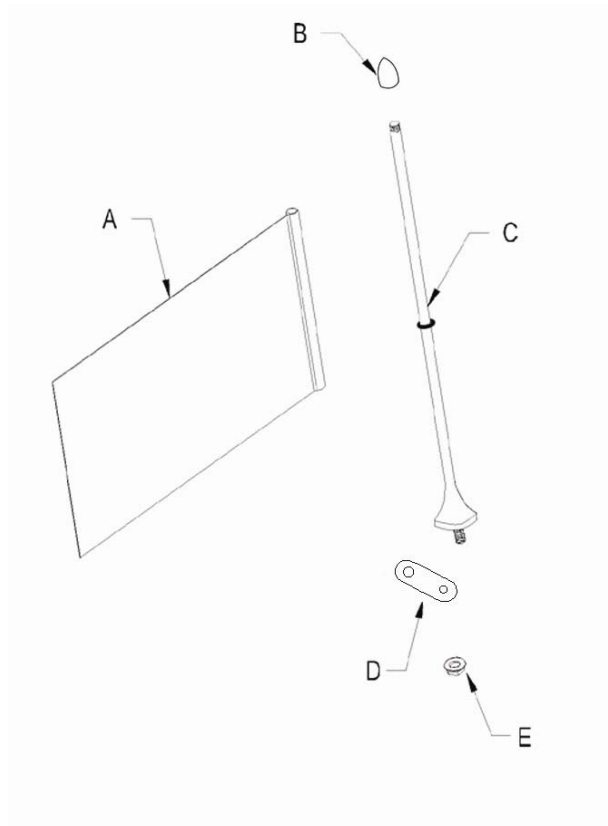


Antenna Mount Installation Instructions



Parts Included in this Kit:

- A - 6" x 9" Flag
- B - Bullet Topper
- C - Molded Mast w/ Neoprene Mast Stay
- D - Antenna Mount Bracket
- E - Serrated Lockdown Nut

Step 1: Start by using a #2 Allen head wrench and remove the antenna from the antenna-mounting stud.

Step 2: Place the *unthreaded* mounting hole in the Antenna Mount Bracket "D" onto the antenna-mounting stud.

Step 3: Reinstall the antenna to the antenna-mounting stud and tighten firmly.

Step 4: Take parts "A-B-C", and mount in the threaded hole in the Antenna Mount Bracket "D".

Step 5: Now take the serrated lockdown nut "E", and screw onto the exposed threads under the bracket, tightening firmly, "grabbing" the bracket.