



Rumbling Pride

Motorcycle Flags, Kits & Specialty Lighting

Ultra CCM Installation Instructions

Parts Included in this Kit:

- A – 6" x 9" Flag
- B – Bullet Topper
- C – Molded Mast w/Neoprene Flag Stay
- D – Ultra CCM Mounting Bracket
- E – #6 Mounting Screws (Qty. 2)
- F – TCM.22/.45 – Tour Class Mount
- G – TCM.22 Only - Bullet Topper w/Stud

*For ease of installation, parts A-B-C, come pre-assembled.

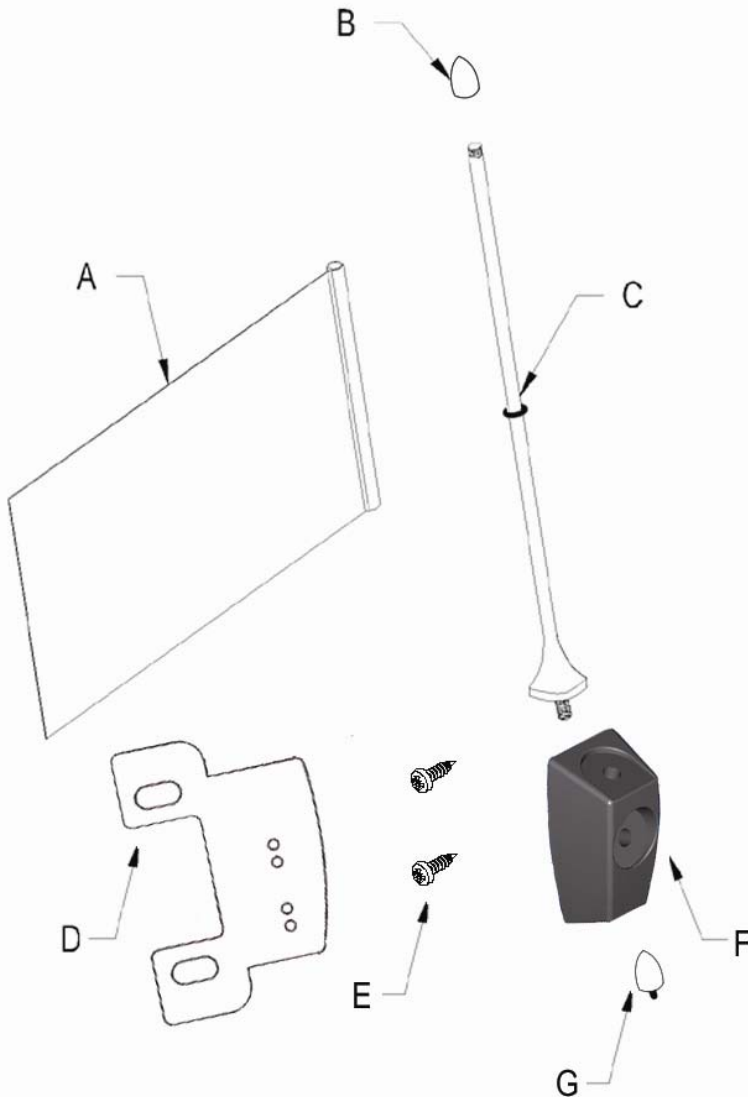
Step 1. Start by mounting the TCM "F" to the Ultra CCM bracket "D". Line up the holes on the bracket with the mounting holes on the back of the TCM. Secure using the two #6 mounting screws "E" provided.

Step 2: Remove the upper and lower screw on your license plate assembly. Keep these parts handy.

Step 3. Align the mounting holes in the Ultra CCM bracket "D", to the holes you removed the screws from in Step 2. Place the screw through the license plate and the bracket. Replace the bolt on the screw and tighten firmly to secure the bracket to the back of the license plate assembly.

Step 4. Next install the mast and flag "A-B-C". We recommend using the Blue Loc-Tite® in the hole for the flag mast. Screw the flag mast into the base and allow a minimum of 2 hours to cure.

Step 5. If the TCM.22 was purchased for your stand up plate, the open hole on the TCM can be filled with the extra bullet and stud included with your kit. We recommend using Blue Loc-Tite® in this hole also so the bullet does not come out from vibration.



www.rumblingpride.com

Phone: 863-607-9888 • rumblingpride@earthlink.net • 5238 Quiet Creek Lane, Lakeland, FL 33811